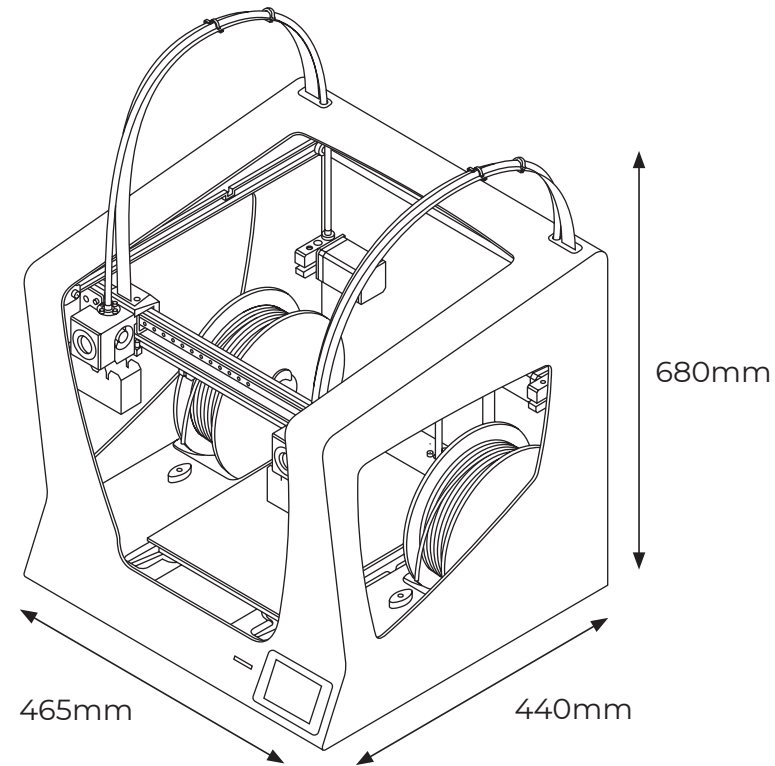


SIGMA R19

SPECIFICATIONS



PRINTER PROPERTIES

Technology
Fused Filament Fabrication (FFF)

Architecture
Independent Dual Extruder (IDEX)

Printing volume
210mm x 297mm x 210mm

Extruders
2

Warranty
2 years for EU countries.
1 year for non-EU countries.

Extruder system
Extruder Bondtech™ high-tech dual drive gears.
Hotends: Optimized and manufactured by e3D™.

Printing Models
Duplication mode
Mirror Mode
Soluble Supports Mode
Multimaterial Mode

Electronics
BCN3D Electronics v1.0
Independent Stepper Drivers

Firmware
BCN3D Sigma – Marlin

Heated bed
PCB

Screen
Full Color Capacitive Touchscreen

Supported files
gcode

Operating Sound
50 dB(A)

Nozzle diameter
0,3mm / 0,4mm (Standard) / 0,5mm (Special) / 0,6mm / 0,8mm / 1,0mm

Certifications
CE / FCC

Connectivity
SD Card (autonomous)
USB

PHYSICAL DIMENSIONS

Overall dimensions
465mm x 440mm x 680mm*
**Including cables*

Weight
15 kg*
**Without filament spools*

Shipping box dimensions
550mm x 570mm x 674mm

Shipping weight
23,5 kg

MATERIALS

Filament diameter
2,85 ± 0,05 mm

Compatible Materials
PLA, NYLON, PET-G, ABS, TPU, PVA, Composites, Others

Open Filament System
Yes

PRINTING PROPERTIES

Layer height
0,05 – 0,5mm*
**Depending on the nozzle diameter*

Positioning resolution (X/Y/Z)
1,25µm / 1,25µm / 1µm

Operating temperature
15°C – 35°C

Extruder maximum temperature
290°C

Heated bed maximum temperature
100°C

SOFTWARE

File preparation software
BCN3D Cura

Operative Systems
Windows, Mac, Linux

Supported files
STL, OBJ, AMF

ELECTRIC PROPERTIES

Input
AC 84-240V, AC 3,6-1,3A, 50-60Hz

Output
24V DC, 13A

Power Consumption
240W